

PLEASE CHECK WWW.MOLEX.COM FOR LATEST PART INFORMATION

Part Number: [0878390017](#)
Status: **Active**
Description: 1.27mm (.050") Signal Pitch, 0.80mm (.031") SCSI Pitch, 1.27mm (.050") Power Pitch SAS Receptacle, Vertical, Hybrid, with Straight Solder Tab, 3.00mm (.120") PCB Thickness, Embossed Tape Packaging, with Cap, 29 Circuits, Lead free

Documents:

[3D Model](#) [Product Specification PS-87839-041 \(PDF\)](#)
[Drawing \(PDF\)](#) [RoHS Certificate of Compliance \(PDF\)](#)

Agency Certification

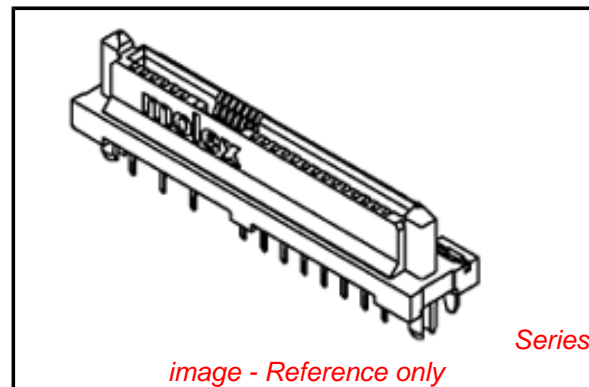
CSA LR19980
 UL E29179

General

Product Family I/O Connectors
 Series [87839](#)
 Application Board-to-Board
 Comments With pick and place cap
 Component Type Receptacle
 Product Name SAS
 Type N/A

Physical

Boot Color N/A
 Circuits (Loaded) 29
 Circuits (maximum) 29
 Circuits Detail Signal 7, SCSI 7, Power 15
 Color - Resin Black
 Durability (mating cycles max) 500
 Flammability 94V-0
 Gender Female
 Keying to Mating Part Yes
 Lock to Mating Part None
 Material - Metal Phosphor Bronze
 Material - Plating Mating Gold, Tin
 Material - Plating Termination Tin
 Material - Resin High Temperature Thermoplastic
 Number of Rows 2
 Orientation Vertical
 PC Tail Length (in) 0.118 In, 0.137 In
 PC Tail Length (mm) 2.99 mm, 3.49 mm
 PCB Locator Yes
 PCB Retention Yes
 PCB Thickness Recommended (in) 0.120 In
 PCB Thickness Recommended (mm) 3.00 mm
 Packaging Type Embossed Tape on Reel
 Panel Mount Yes
 Pitch - Mating Interface (in) 0.031 In, 0.050 In
 Pitch - Mating Interface (mm) 0.80 mm, 1.27 mm
 Pitch - Term. Interface (in) 0.031 In, 0.050 In
 Pitch - Term. Interface (mm) 0.80 mm, 1.27 mm
 Plating min: Mating (µin) 30
 Plating min: Mating (µm) 0.76
 Plating min: Termination (µin) 102
 Plating min: Termination (µm) 2.54



EU RoHS

ELV and RoHS Compliant
REACH SVHC
 Not Reviewed
Halogen-Free Status

China RoHS



Not Halogen-Free

Need more information on product environmental compliance?

Email productcompliance@molex.com
 For a multiple part number RoHS Certificate of Compliance, [click here](#)

Please visit the [Contact Us](#) section for any non-product compliance questions.

Search Parts in this Series

[87839Series](#)

Mates With

Device Plugs [87679](#) , [87799](#) , [87703.](#) , SFF 8482 Hard Disk Drive and Backplane Plug

Polarized to Mating Part	Yes
Polarized to PCB	Yes
Surface Mount Compatible (SMC)	Yes
Temperature Range - Operating	0°C to +55°C
Termination Interface: Style	Surface Mount, Through Hole
Waterproof / Dustproof	No
Wire Size AWG	N/A

Electrical

Current - Maximum per Contact	1.5A
Shielded	No
Voltage - Maximum	30V

Solder Process Data

Duration at Max. Process Temperature (seconds)	10
Lead-free Process Capability	Reflow Capable (SMT only)
Max. Cycles at Max. Process Temperature	1
Process Temperature max. C	260

Material Info

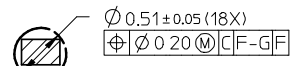
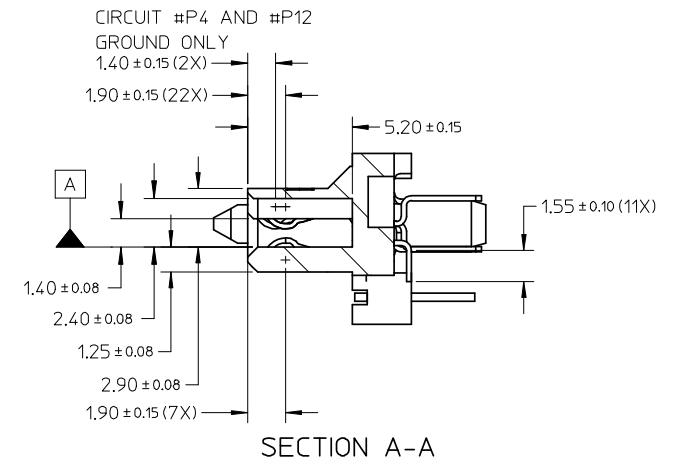
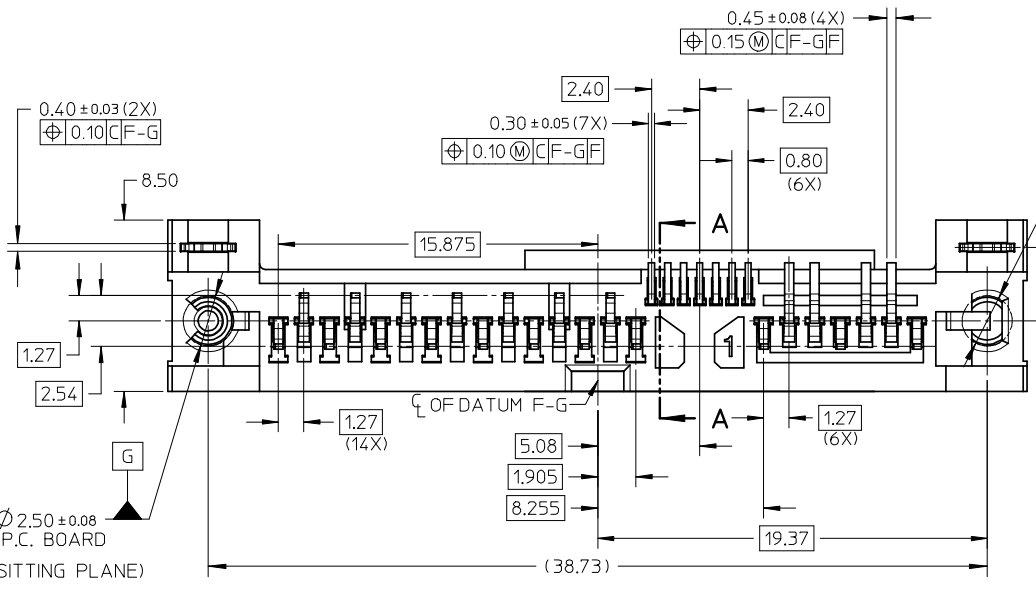
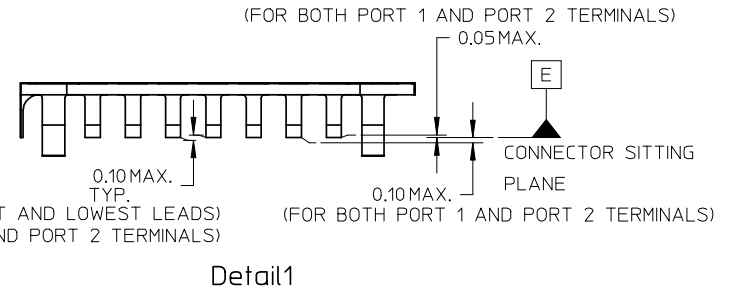
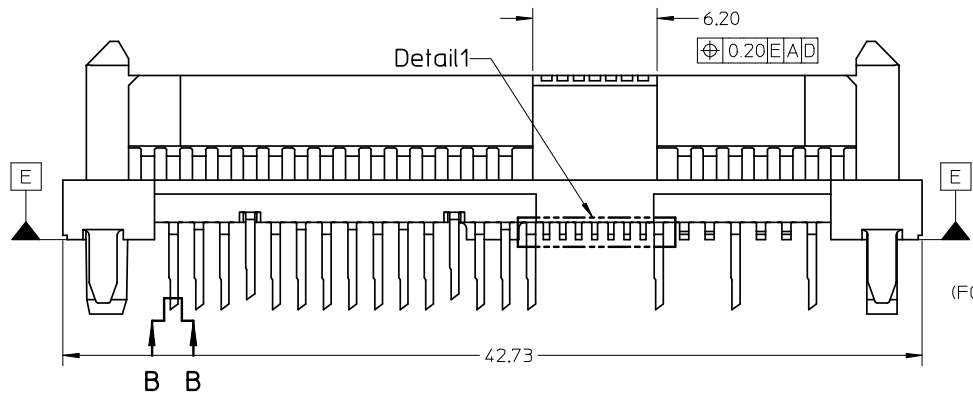
Reference - Drawing Numbers

Product Specification	PS-87839-041
Sales Drawing	SD-87839-040

This document was generated on 04/09/2010

PLEASE CHECK WWW.MOLEX.COM FOR LATEST PART INFORMATION

10 9 8 7 6 5 4 3 2 1



SECTION B-B

UPDATE DRAWING	2008/02/14	2008/02/15	2008/02/18
EC NO: S2008-0663	DRW:KHLIM	CHKD:CGOH	APPR:KCLING
DESCRIPTION	REV	REV	REV
QUALITY SYMBOLS	DESCRIPTION	REV	REV
	=0		
	=0		

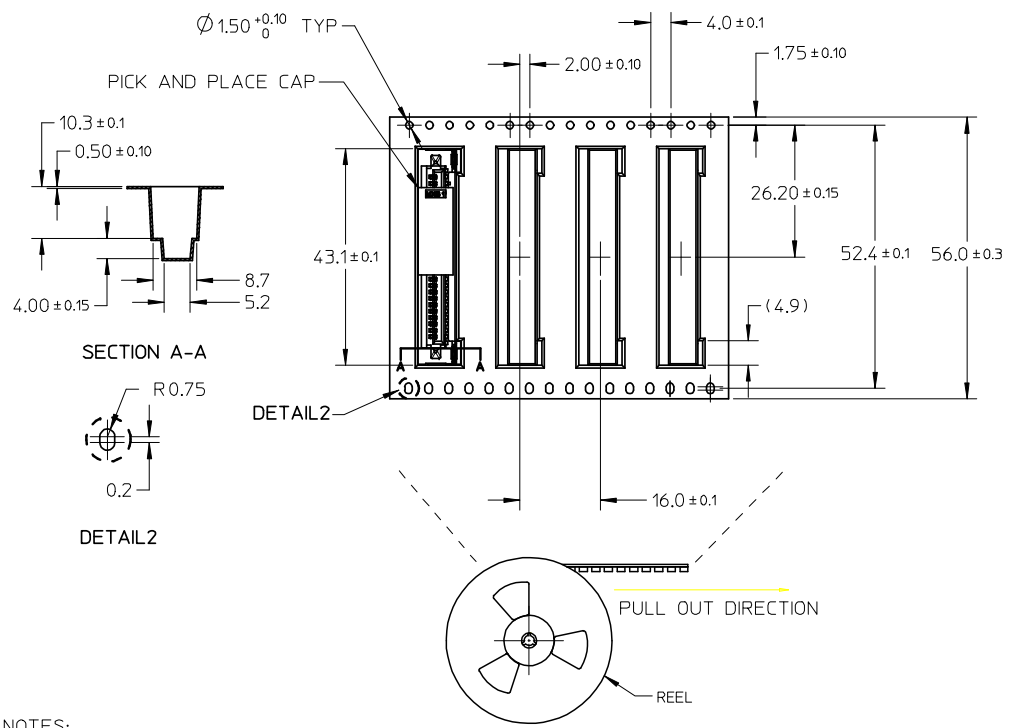
GENERAL TOLERANCES (UNLESS SPECIFIED)	mm	INCH
	4 PLACES ± ---	± ---
	3 PLACES ± ---	± ---
	2 PLACES ± 0.20	± ---
	1 PLACE ± ---	± ---
ANGULAR ± 3 °		
DRAFT WHERE APPLICABLE MUST REMAIN WITHIN DIMENSIONS		

DIMENSION STYLE		SCALE	DESIGN UNITS
MM ONLY		NTS	METRIC
DRAWN BY	DATE	TITLE	
DKOH	2004/11/23	SERIAL ATTACH SCSI RECEPTACLE, HYBRID STANDARD HEIGHT	
CHECKED BY	DATE	MOLEX INCORPORATED	
KCLING	2004/12/01	MOLEX INCORPORATED	
APPROVED BY	DATE	DOCUMENT NO.	
SKTOH	2004/12/01	SD-87839-040	
MATERIAL NO.	SEE TABLE	SHEET NO.	
		2 OF 4	

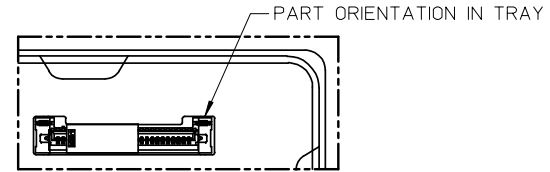
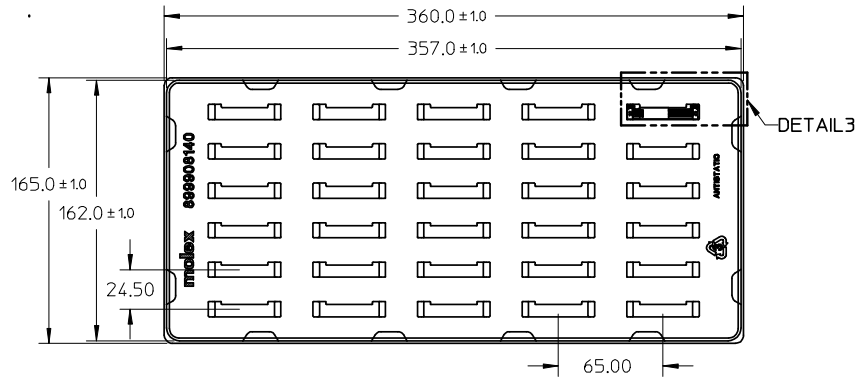
THIRD ANGLE PROJECTION	
SERIAL ATTACH SCSI RECEPTACLE, HYBRID STANDARD HEIGHT	
MOLEX INCORPORATED	
DOCUMENT NO. SD-87839-040	
SHEET NO. 2 OF 4	

9 8 7 6 5 4 3 2 1

TAPE AND REEL PACKAGING



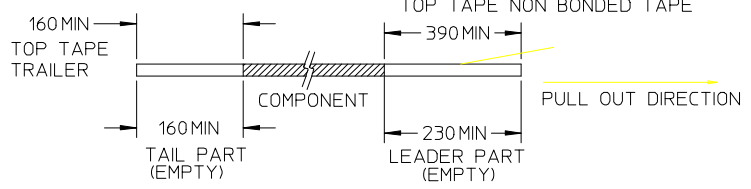
TRAY PACKAGING



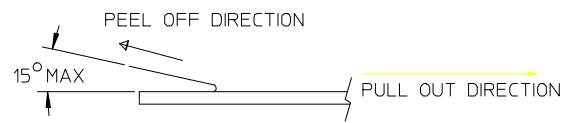
DETAIL3

NOTES:

1. LEADER AND TRAILER TAPE



2. PEELING OFF FORCE OF THE TOP TAPE: 80gf MAX.
(PEELING DIRECTION AS SHOWN IN FOLLOWING FIGURE)



- 3. PACKAGING QTY IS: 350 PCS/REEL
- 4. PACKAING STANDARD IS AS PER EIA-481.
- 5. CONNECTOR COMES WITH PICK AND PLACE CAP.

NOTES:

- 1. PACKAGING QTY: 30PCS/TRAY
- 2. NO PICK AND PLACE CAP

UPDATE DRAWING EC NO: S2008-0663 DRW:KHLIM 2008/02/14 CHK:D:CGOH 2008/02/15 APPR:KCLING 2008/02/18 REV: A6	QUALITY SYMBOLS	GENERAL TOLERANCES (UNLESS SPECIFIED)	DIMENSION STYLE	SCALE	DESIGN UNITS	THIRD ANGLE PROJECTION	
	▼=0 ◻=0	mm INCH 4 PLACES ± --- ± --- 3 PLACES ± --- ± --- 2 PLACES ± 0.20 ± --- 1 PLACE ± --- ± --- ANGULAR ± 3 °	MM ONLY	NTS	METRIC		
			DRAWN BY: DKOH DATE: 2004/11/23	TITLE: SERIAL ATTACH SCSI RECEPTACLE, HYBRID STANDARD HEIGHT	MOLEX INCORPORATED SD-87839-040		
			CHECKED BY: KCLING DATE: 2004/12/01				
			APPROVED BY: SKTOH DATE: 2004/12/01	DOCUMENT NO. SEE TABLE	SHEET NO. 4 OF 4	THIS DRAWING CONTAINS INFORMATION THAT IS PROPRIETARY TO MOLEX INCORPORATED AND SHOULD NOT BE USED WITHOUT WRITTEN PERMISSION	
		DRAFT WHERE APPLICABLE MUST REMAIN WITHIN DIMENSIONS					